



## AVK GATE VALVE, SUPA MAXI™, PN16

636/00-001

Universal tensile coupling ends for all pipe types, DN80-300



The Supa Maxi™ gate valve combines AVK's renowned Supa Maxi™ and gate valve designs ensuring a long lasting solution with ease of installation, and is the perfect choice for repairing old pipelines as well as when installing new pipes. The Supa Maxi™ valves connect to any pipe material bringing down the need for stock as one valve fits all pipes. With a built-in gate valve it is easy to shut-off the water in case of further repair or replacement of the old pipeline at a later stage.



### Product description:

Gate valve with Supa Maxi™ universal tensile couplings. For drinking water and neutral liquids to max. 70°C

### Standards:

- Designed according to EN 1074 (DIN 3352), Designed according to EN 1171

### Test/Approvals:

- Hydraulic test according to EN 1074-1 and 2 / EN 12266
- Seat: 1.1 x PN (in bar), Body: 1.5 x PN (in bar). Operation torque test



### Features:

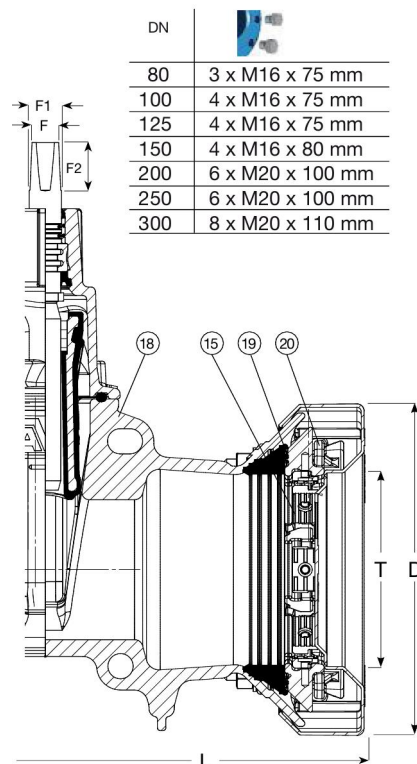
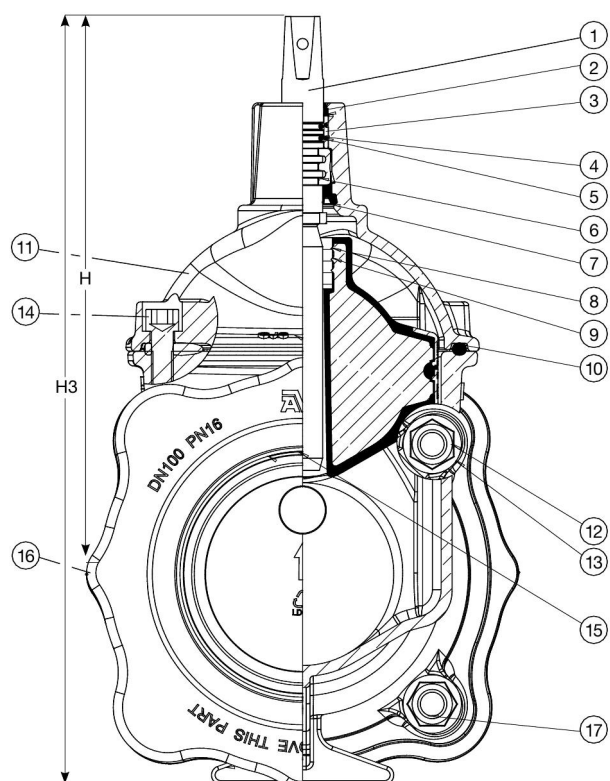
- Fixed, integral wedge nut prevents vibration and ensures durability
- Wedge fully vulcanized with drinking water approved EPDM rubber and equipped with wedge shoes to provide smooth operation
- Large conical stem hole in the wedge prevents stagnant water
- Wedge and body guide rails ensure stable operation
- Stainless steel stem with wedge stop and rolled threads for high strength
- Full circle thrust collar provides fixation of the stem and low free running torques
- Triple safety stem sealing with an NBR wiper ring, a polyamide bearing with four NBR O-rings, and an EPDM rubber manchette
- Round EPDM bonnet gasket fixed in a recess
- Countersunk and sealed stainless steel bonnet bolts encircled by the bonnet gasket
- Full bore
- Low operating torque
- Fusion bonded epoxy coating in compliance with DIN 3476 part 1 and EN 14901, GSK approved
- Supa Maxi coupling ends: Patented SupaGrip™ sealing support system with flexible bracket ensures full support of the gasket even at minimum pipe size within the tolerance range. Full tensile strength on all pipes is ensured by two different metal grip segments - every other of gunmetal for PE/PVC and of hardened stainless steel for cast iron/ductile iron/steel/stainless steel/GRP/AC pipes. Angular deflection  $\pm 4^\circ$  on each side. Gasket of drinking water approved EPDM rubber. Permanent protection caps protect the couplings during handling and installation
- Notice: All DN's are for PN 16 (max. PN 10 when used on stainless steel, AC, Bi-PVC, and CFW GRP pipes). For PE pipes a support bush is to be used

### Accessories:

Stem cap, handwheel, extension spindle, surface box and support bush



Expect ... **AVR**



**Component list:**

1. Stem	Stainless steel 1.4104 (430F)	11. Bonnet	Ductile iron GJS-500-7 (GGG-50)
2. Wiper ring	NBR rubber	12. Nut	Stainless steel A4
3. Bearing	Polyamide	13. Washer	Stainless steel A2
4. O-ring	NBR rubber	14. Bonnet bolt	Stainless steel A2, sealed with hot melt
5. O-ring	NBR rubber	15. Grip segment	Stainless steel / bronze CC491K
6. Thrust collar	Brass, DZR CW602N	16. Protection cap	PE
7. Manchette	EPDM rubber	17. Bolt	Stainless steel A2
8. Wedge nut	Brass, DZR CW626N	18. Body	Ductile iron GJS-500-7 (GGG-50)
9. Wedge	Ductile iron, EPDM encapsulated	19. Gasket	EPDM rubber
10. Bonnet gasket	EPDM rubber	20. Bracket	Cast steel

Components may be substituted with equivalent or higher class materials without prior notification.

**Reference nos. and dimensions:**

AVK ref. no.	DN	D	Product	T	L	H	H3	F	F1	F2	Theoretical weight / kg
	mm	mm	PN Class	mm	mm	mm	mm	mm	mm	mm	
636-080-00-040064	80	235	PN16	82 - 106	455	254	380	17	20	34	15
636-100-00-040064	100	268	PN16	104 - 133	458	286	426	19	22	38	19
636-125-00-040064	125	285	PN16	132 - 159	451	341	475	19	22	38	23
636-150-00-040064	150	340	PN16	159 - 188	499	385	557	19	22	38	31
636-200-00-040064	200	389	PN16	193 - 227	549	475	672	24	28	42	52
636-205-00-040064	200	437	PN16	224 - 257	540	466	690	24	28	42	58
636-250-00-040064	250	476	PN16	266 - 301	586	664	885	27	37	55	92
636-300-00-040064	300	545	PN16	314 - 356	659	740	993	27	37	55	129